

SERIES 350 FRLs

Filter-Regulator-Lubricators

BAGV1A1B6A13 Models

Port Sizes: 1/4, 3/8, 1/2



Model Shown: BAGV1A1B6A13

Available Color Caps



Yellow

(Standard)

Red

(optional)

Blue

(optional)

Grey

(Optional)

SPECIFICATIONS

Ambient/Media Temperature: (without lockout valve)
Plastic Bowl, all drain types: 40° to 125°F (4° to 52°C).
Metal Bowl, manual drains: 40° to 175°F (4° to 79°C).
Metal Bowl, float drains: 40° to 150°F (4° to 66°C).

Body: Zinc.

Filter and Lubricator Bowl: 5.1-Ounce (151-ml) capacity polycarbonate plastic with nylon shatterguard; optional 6.0 ounce (177-ml) aluminum bowl with clear nylon sight glass. Lubricator bowl has an optional 10-ounce (300-ml) extended aluminum bowl with clear nylon sight glass.

Filter Bowl Drain: Internal float drain; by removing the adjustment knob, a 3/16" (5mm) flexible tube can be connected to drain effluents. Optional manual drain.

Filter and Lubricator Cap Color: yellow, Optional red, blue and grey.

Differential Pressure Gauge: Optional.

Filter Element: 5-µm-rated polyethylene; optional 5-µm-rated, 20-µm-rated or 40-µm-rated sintered bronze.

Fluid Media: Compressed air.

Inlet Pressure:

Plastic bowl & manual drain: 0-150 psig (0-10 bar).

Plastic bowl & Float drain: 30-150 psig (2-10 bar).

Metal bowl & manual drain: 0-250 psig (0-17 bar).

Metal bowl & Float drain: 30-200 psig (2-14 bar).

Regulator Dome: Nylon.

Knob: Acetal

Outlet Pressure: Adjustable up to 150 psig (10 bar); optional adjusting springs.

Optional Pressure Adjustment locking key: removable

Pressure Gauge: 0 to 200 psig (14 bar); 1/4-NPT gauge ports front and rear.

Panel Mounting: 2-1/16 inch (52 mm) hole required.

Seals: Nitrile.

Self-relieving: Non-relieving optional.

Valve: Brass

Valve Cap: Nylon.

Oil Adjustment: External; tamper resistant.

Sight-Feed Dome: Nylon.

GENERAL

- ◆ Modular or inline mounting.
- ◆ Filter and lubricator; Polycarbonate plastic bowl with steel shatterguard; optional metal bowl with sight glass.
- ◆ Inlet pressure rated at 250 psig (17 bar) with metal bowls up to 175° F. (79° C)
- ◆ Filter and Lubricator; Color caps available for visual management systems. (Blue,red, yellow and grey). Consult factory for custom colors.
- ◆ Front mounted modular clamping design with encapsulated screws.
- ◆ Compatible with modular 380 series of products.
- ◆ NPTF port threads; optional BSPP threads.

FILTER

- ◆ Designed to remove particulate material to 5 micron from the airstream to protect downstream equipment.
- ◆ Optional bronze 5-µm-rated, 20-µm-rated, and 40-µm-rated. 5-µm-rated Polyethylene filter elements are standard.
- ◆ Superior removal of free water up to 98% efficiency
- ◆ Removal of effluents via manual or automatic float drains.

REGULATOR

- ◆ Modular mounting allows regulators to be positioned at 45° increments for ease in adjustment.
- ◆ Superior pressure regulation - diaphragm type regulator
- ◆ Self relieving design; large diaphragm sensing area; non-relieving optional.
- ◆ Optional Pressure adjustment locking key; tamper resistant pressure setting.
- ◆ Inlet rated to 300 psig (21 bar)
- ◆ Reverse flow option.
- ◆ Pressure gauge.

LUBRICATOR

- ◆ Sight feed design; transparent dome to show oil delivery.
- ◆ External oil delivery adjusting knob, removable for tamper resistance.

AIR FLOW DATA

See Flow Charts for individual assembly components on preceding pages.

DIMENSIONS inches (mm)

Bowl	A	B †	C	Depth	Weight lb (kg)
Std plastic	12.02 (305.4)	5.54 (140.7)	2.21 (56.2)	2.90 (73.7)	6.1 (2.8)
Std metal	12.02 (305.4)	6.42 (163.1)	2.21 (56.2)	2.90 (73.7)	6.4 (2.9)

Panel Mounting: 2-1/16" (52mm) hole required.

Lockout: Without V380 lockout valve deduct 2.3 (58) from dimension A.

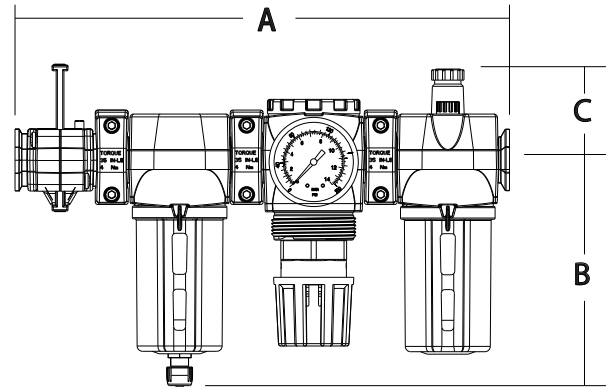
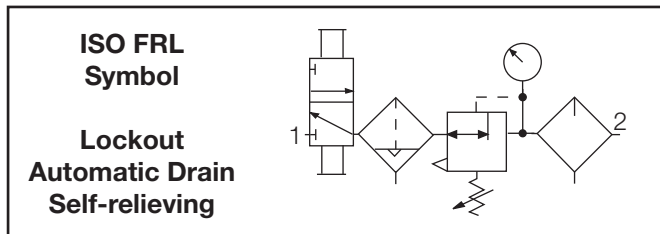
† **Bowl (standard) removal clearance:** add 3.1 (79)

† **Bowl (extended) removal clearance:** add 6.1 (155)

Dimensions above reflect less gauge.

REPLACEMENT FILTER ELEMENT KITS

Element Rating	Kit Number
5-µm Polyethylene (Std element)	A60F-03PE5
40-µm Bronze	A60F-03E3
5-µm Bronze	A60F-03E5
20-µm Bronze	A60F-03E4



ORDERING INFORMATION

Shown below is a basic series 350 ordering chart. If non standard options is needed then use the complete numbering chart shown on the next couple of pages, (pgs 322-325)

B A G V 1 A 1 B 6 A 1 3

CAP COLOR

- Yellow (standard) B
- Red C
- Blue D
- Grey A

BOWL TYPE

- All standard plastic A
- All standard metal B
- All metal bowls. Standard D
- filter and regulator, Extended Lubricator.

VALVE OPTION

- No valve Leave blank
- V380 shutoff valve V

FILTER

- F350 1
- F350-E3 2
- F350-E4 K

REGULATOR

- R350 1
- R350-A 4
- R350-H 5
- R350-L 7
- R350-P A
- R350-E D

PORT TYPE

- 1/4 NPTF 2
- 3/8 NPTF 3
- 1/2 NPTF 4
- 1/4 BSPP B
- 3/8 BSPP C
- 1/2 BSPP D

REGULATOR GAUGE

- None 0
- 200-BDD (0-200 psi) 1
- 60BDD (0-60 psi) 2

MOUNTING BRACKETS

- None A
- Back brackets J

FILTER DRAIN TYPE

- Manual..... 0
- Plastic bowl, Float drain 6
- (plastic stem).
- Metal bowl, Float drain 8
- (Brass stem).

LUBRICATOR

- L350D B
- L350D-Q (with Q-Cap) C